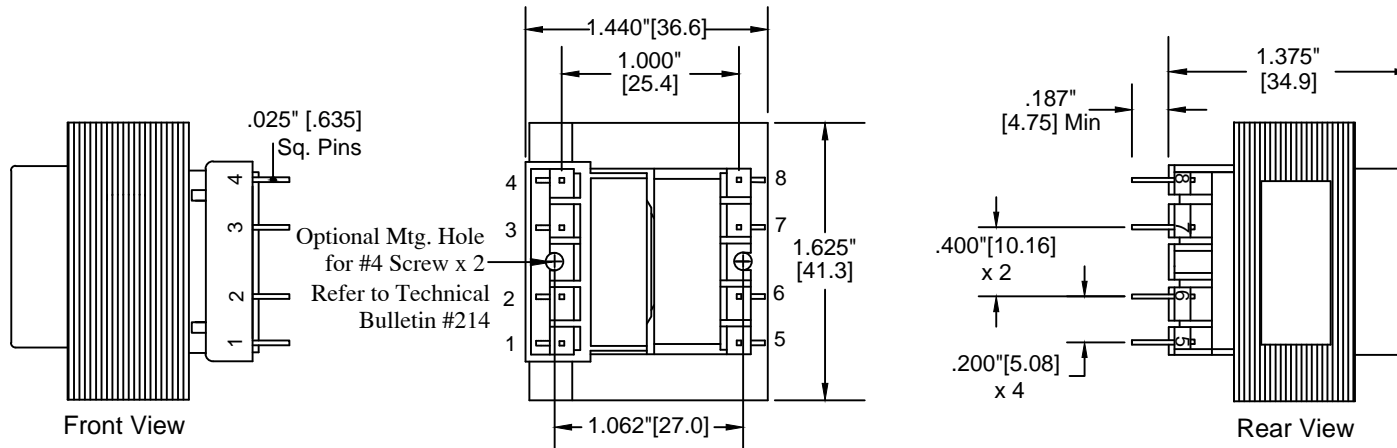


SPHV-277-1100 Series: 5 VA International Standard Profile PC Mount Power transformers with a single 277V primary and dual secondaries. Designed to be used in low power applications and provide the high isolation, creepage and clearance distances necessary to comply with international safety standards.

- Dielectric Strength - 4500Vrms Hipot primary - secondary
- Single Primary 277V, 50/60Hz
- Dual secondaries - Series or Parallel
- UL Recognized CLASS B (130°C) Insulation system, UL 1446 (File E85315)
- 100% Final Tested - Every transformer is tested on automated panels for induced voltage (shorted turns), exciting current, open circuit voltage (turns ratio), polarity (phasing) and dielectric strength
- Shrouded primary, Three flange bobbin design, no electrostatic shield required
- Flammability - Bobbin and Shroud Material meets UL 94-VO
- Immersed in 100% solids epoxy resin to withstand most aqueous and solvent cleaning systems
- Other primary and secondary voltages may be custom designed to your specifications
- Anchor, insulating and crossover tapes. Two distinct, separate windings for each primary and secondary assure excellent HIPOT capability between these windings
- Same pin-out as Prem's SPW 1100 Series

All Dimensions are reference unless otherwise specified. [ ]=mm

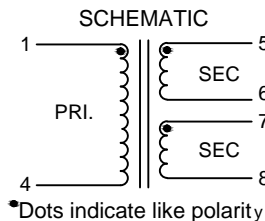


SECONDARY WINDINGS ARE DESIGNED TO BE USED AS ONE SECONDARY WINDING WITH EITHER PARALLEL OR SERIES CONNECTIONS ONLY!

INPUT VOLTAGE 1 - 4, 277V, 50/60Hz

SECONDARY PARALLEL CONNECTIONS:  
TIE 5-7, 6-8 ; OUTPUT 5-8

SECONDARY SERIES CONNECTIONS:  
TIE 6-7; OUTPUT 5-8



\*Dots indicate like polarity

RMS RATING WITH SECONDARIES CONNECTED IN:

Part Number	VA	Series	Parallel
SPHV-277-1100	5	10Vct @ 500mA	5V @ 1.0A
SPHV-277-1101	5	12.6Vct @ 400mA	6.3V @ 800mA
SPHV-277-1102	5	16Vct @ 310mA	8V @ 620mA
SPHV-277-1103	5	20Vct @ 250mA	10V @ 500mA
SPHV-277-1104	5	24Vct @ 210mA	12V @ 420mA
SPHV-277-1105	5	28Vct @ 180mA	14V @ 360mA
SPHV-277-1106	5	36Vct @ 140mA	18V @ 280mA
SPHV-277-1107	5	48Vct @ 105mA	24V @ 210mA
SPHV-277-1108	5	56Vct @ 90mA	28V @ 180mA
SPHV-277-1109	5	120Vct @ 42mA	60V @ 84mA

THE DESIGN OF THIS PART IS INTENDED TO MEET THE LISTED SAFETY AGENCY REQUIREMENTS. PREM HAS NOT HAD THIS PART REVIEWED, APPROVED OR LISTED BY ANY SAFETY AGENCY.

- PRI TO SEC INSULATION: REINFORCED
- PRI TO SEC CREEPAGE: 6.4mm MIN.(MATERIAL GROUP IIIb)
- PRI TO SEC CLEARANCE: 6.4mm MIN.

## SPHV-277-1100 Series

### Notes

Designed to meet:  
-UL 60950  
-VDE 0805(EN 60950)

FUSING THE TRANSFORMER TO MEET SAFETY AGENCY REQUIREMENTS IS THE RESPONSIBILITY OF THE CUSTOMER.

-3	Chg.Elec. Text	3-6-15
-2	Chg. ( ) to [ ]=mm	12-4-14
-1	Add #4 screw to Mtg. hole & refer to Bull. 214	8-25-14

**PREM**  
MAGNETICS INCORPORATED  
3521 N. CHAPEL HILL RD.  
JOHNSBURG, IL 60051

**PREM PART**  
**SPHV-277-1100**  
**INTERNATIONAL**  
**SERIES**

Approved: R Radow

Scale: None

Date: 11/28/2012